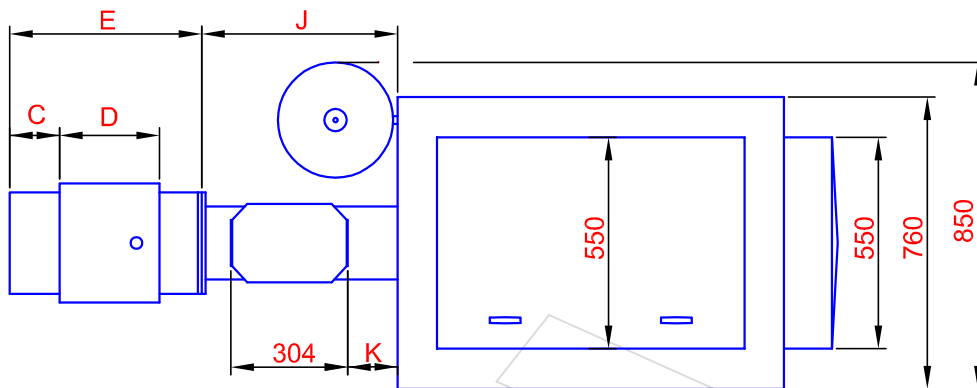
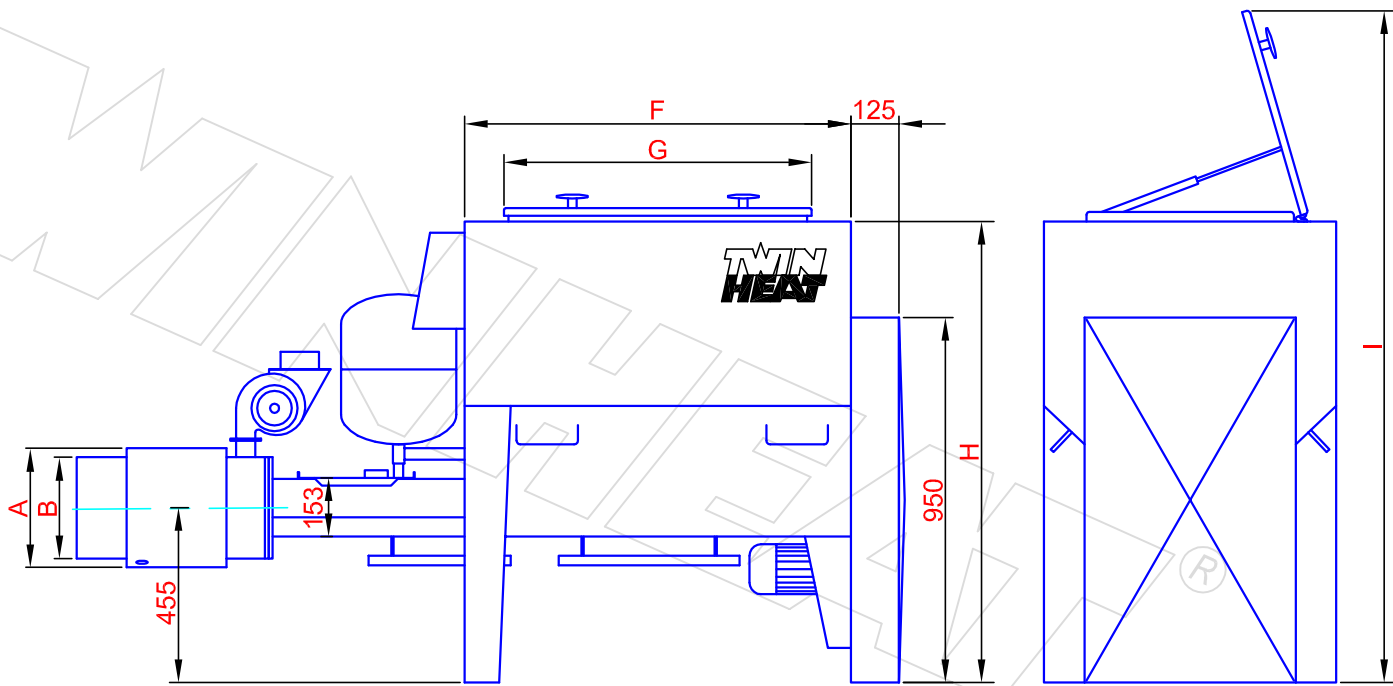


Fuel storage 300 - 500 - 700 L.



Burner tube dimensions

Type	Burner tube dimensions				
	A	B	C	D	E
M20i	304	264	130	260	490
M40i	360	316	130	440	745
M80i	425	370	130	720	1040

Fuel storage dimensions

Type	Fuel store dimensions					
	F	G	H	I	J	K
300 L	605	400	1200	1750	330	10
500 L	1005	800	1200	1750	500	130
700 L	1005	800	1450	2000	500	130

500 and 700 L. fuel storage can be delivered with an extended auger channel (+250mm)

Twinheat A/S, Nørrevangen 7, 9631 Gedsted
 Tlf. +45 9864 5222, Fax. 98645244
 Mail. twinheat@twinheat.dk, www.twinheat.dk

We reserve the right to make changes May 2013